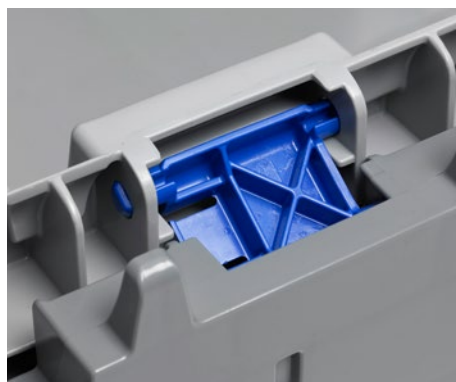
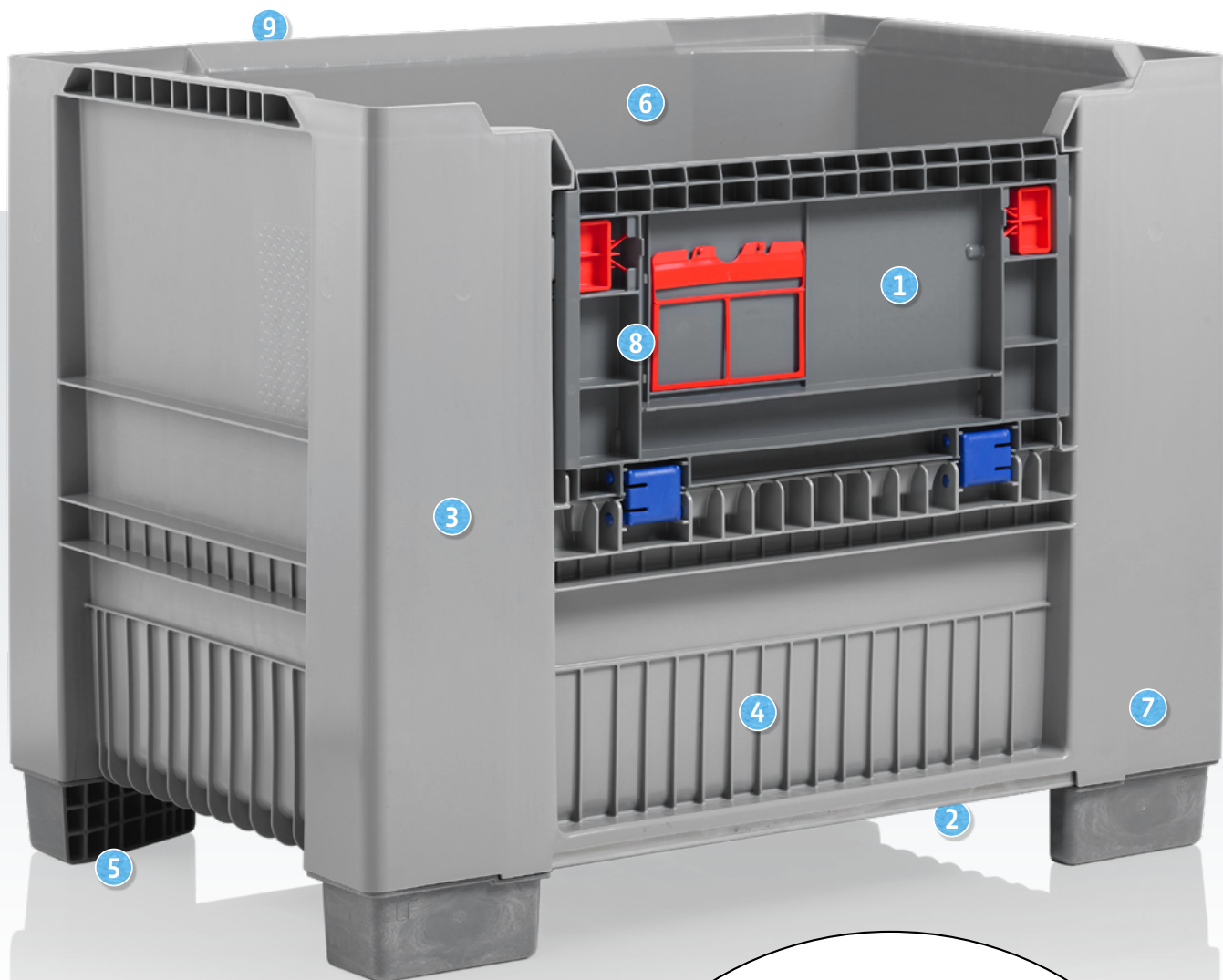


## **KUBO – for heavy weights**



# KUBO – the high-quality four-way box



## Closed version

On request, we also offer the box without front drop door.



The KUBO is the perfect alternative to the metal grid box (Gitterbox) and for all applications with high requirements.

The new Craemer box made of PE is extremely robust due to its solid construction whilst boasting a low tare weight. The box is easy to clean, guaranteed corrosion-free, versatile, suitable for pooling and repairable.

The KUBO runs maintenance- and trouble-free on all conventional conveyor systems and is also suitable for automated high rack warehouses. Due to its closed walls, the box offers maximum protection of the contents and boasts enormous stability and excellent stackability.

Thanks to the steel reinforcements in the base, the KUBO is particularly suitable for heavy loads.



1 Large **front drop door** on the long side for easy loading and unloading.



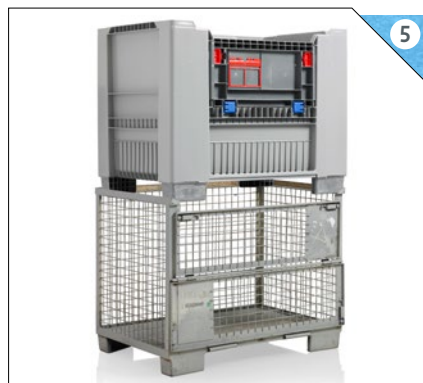
2 Five **steel profiles** in the base ensure high stability even under heavy loads.



3 Four exchangeable **corner columns** along the entire height reinforce the container.



4 **Ram protection** through ribs on the sides, for increased resistance to forklift tines.



5 External dimensions **compatible with the metal grid box** (Gitterbox) enable use in existing systems.



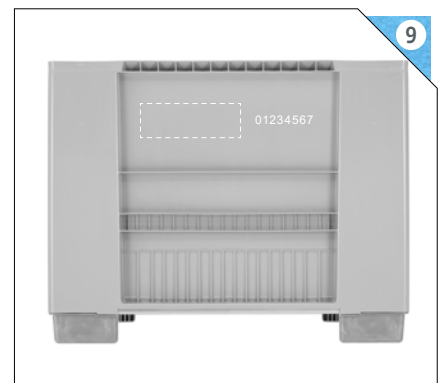
6 **Smooth inner walls** for easy cleaning and drying, optionally available with drain holes.



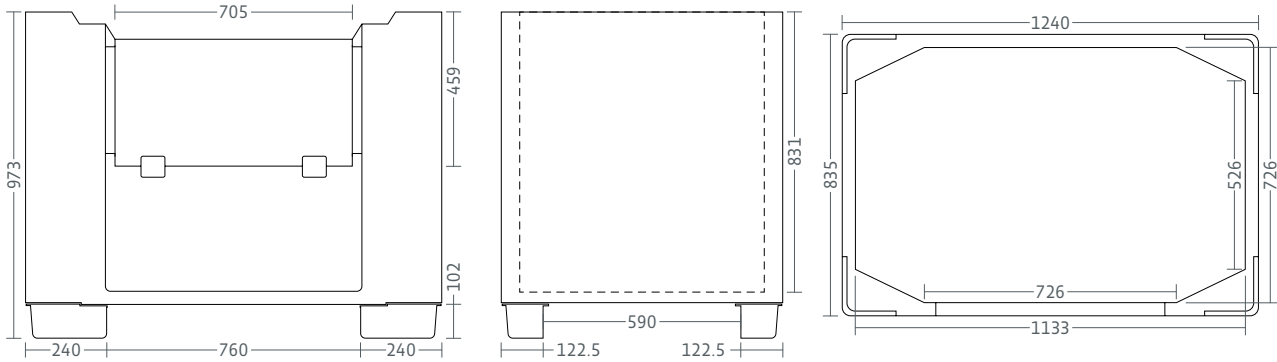
7 Optional **RFID transponders** for seamless tracking and tracing.



8 **Documents holder** on the drop door for identification cards or accompanying documents.



9 **Fields** for individual logos, lettering or numbering or adhesive labels.



Technical data <sup>*1</sup>	
External dimension LxWxH	1240x835x973 mm
Internal dimension LxWxH	1133x726x831 mm
Material <sup>*2</sup>	PE
Volume	~ 610 l
Weight with drop door	51 kg
Weight without drop door	50 kg

Load capacity <sup>*3</sup>	
Stacking load	3000 kg
Payload	1000 kg
Dynamic load	2100 kg

<sup>\*1</sup> All technical data include characteristic features, which have been tested under specially defined conditions. Varying data may result from different conditions of usage such as loading method, prevailing temperature and length of storage time. All data and specified information are subject to change without notice. Our service team is pleased to be at your disposal to check the special requirements of your individual application.

<sup>\*2</sup> Our service team is pleased to be at your disposal if you require exact information about material compositions.

<sup>\*3</sup> Stacking load with a holding capacity of 1000 kg at room temperature. Dynamic load on a forklift with an evenly distributed load at a room temperature.

**Craemer GmbH  
(Headquarters Export Department)**

Brocker Straße 1  
33442 Herzebrock-Clarholz | Germany

Tel. +49 5245 43-0  
E-mail [info@craemer.com](mailto:info@craemer.com)  
[www.craemer.com/en](http://www.craemer.com/en)

**United Kingdom  
Craemer UK Ltd**

Craemer House  
Hortonwood 1  
Telford, Shropshire TF1 7GN | United Kingdom

Tel. +44 1952 6078-00 | Fax +44 1952 6078-01  
E-mail [info@craemer.com](mailto:info@craemer.com)  
[www.craemer.co.uk](http://www.craemer.co.uk)

Craemer Group is one of the world's leading manufacturers of durable logistics solutions with more than 60 years of experience in plastics processing. The portfolio includes plastic pallets for a wide variety of requirements and a wide range of transport and storage containers – from stacking boxes, round containers and tubs to pallet boxes and large wheelie bins (MGB type). All Craemer products are made of high-quality polyethylene and excel with their tried and tested quality.